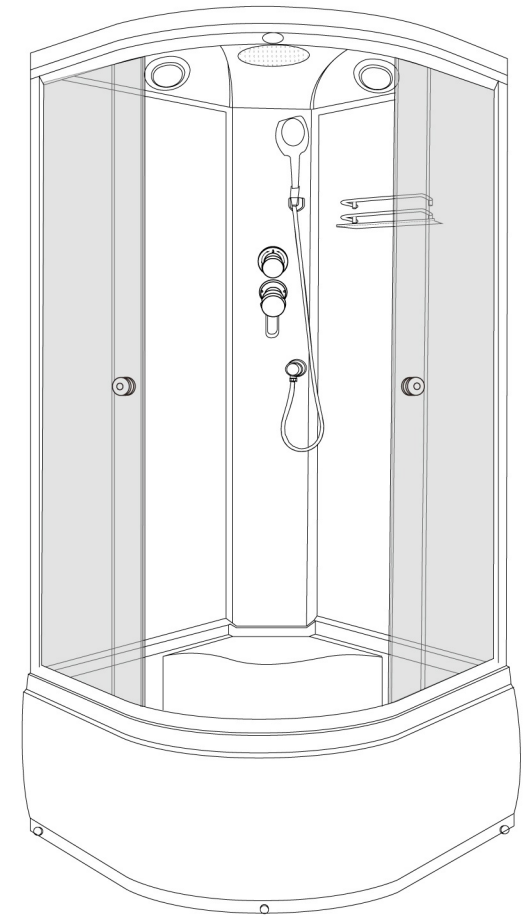


PICC
ISO 9001

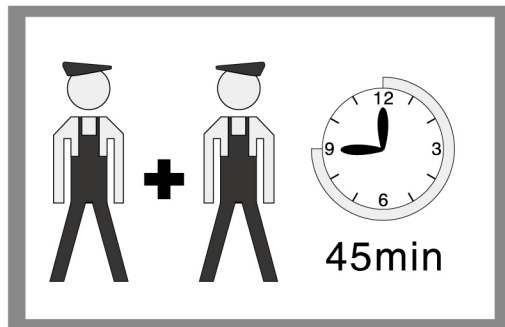


INSTALLATION MANUAL

Honorific customer:

Welcome to use our series product!install and usage our product for the first time previous,Promise you safe effectively use this product, please cautiously read this user manual.After installtion Please carefully keep this manual with purchase valid note in order to will make reference to maintain usage in the future and The service provided to keep on for you.If there is problem please to call the local dealer's enquiry.

INSTALLTION TIME:



Cleanness and maintenance

- 1.Daily cleanness:pls using soft cloth wip with neutral rinse,if the dirt can't remove ,pls dissolve with toothpaste or low density vinegar liquid(read its instruction),have to swash with clear water after sweep the dirt. If disinfect, shouldn't use A sour and contain Formaldehyde product, the in order to prevent hurt.
2. Water dirt clearance: clean with the weak acidity rinse,using the soft cloth wipe out with tepefaction lemon juice, or vinegar. have to swash with clear water after sweep the dirt..Use polishing liquid to make the surface keep shining such as new.
- 3.shower room or bathtub surface have been already rowed a scar:First whet with 1200# water sand paper, wet to lightly whet to row with 1500# water mill sand papers again. The scar part go to smooth, then using soft cloth sweep with a little of toothpaste or polishing liquid.
- 4.Electroplate nursing: use flannel to lightly wipe to electroplate surface, absolutely not to Be with the rough thing carry on wipe or connect with organic melting .the glass gum gas which takes acidity will damage to electroplate surface and should avoid contact.
- 5.The rinse which pleases not usage surface the tools and implements of the coarseness and implies chemistry melting agent or grain wipes shower room surface, please don't use the bluntness machine, blade etc. pound, depict shower room surface, in order to prevent appear damaged.
- 6.Usually tidy up shower basin, to decrease the sundries in basin, tidy up the drain and avoid to drain tube stop.
- 7.Can't use to take causticity detergent!Take caustic water can not pour into bathtub!Shouldn't higher than at 100 Celsius degrees Hot source contact bathtub surface, in order to prevent hurt.
- 8.Steam function:In order to decrease deposition thing in the water tank in the using process, had better to install a water filter on the water machine input mouth.Pls tidy up the water dirt in the water tank after use a period of time(suggest to check a times 3 month), particularly is in the hard water region ,to prolong the service life of machine.Suggestion to follow below method to clean the dirt:Use 5-10 grams of citric acid with 1.4 heat water dilution, dismantled the pipe of connection between steam generator and steam output mouth,transfuse the citric acid aqua from steam output mouth,then connect the dismantled pipes, , quiet time for 60 minutes, then turn on the machine, shut down after working 30 minutes,drain out all water in steam generator then over.

Note:If need to transport, should lightly take to lightly put and prevent from heavy pressure, machine collision and strong vibration.Don't make such as the long time Use, please cut off water supply and power supply, and keep surroundings environment dry well ventilated, have no causticity air.

Fault	Cause	Solution
the speaker no voice out	the volume is too small	turn up the volume
	the speaker connect unwell	reconnect the line or replace the speaker
	Control panel function be bad	replace the control panel
	Have no voice source exportation audio frequency signal	check the audio connect
the radio unclear	The antenna didn't undraw or the direction be not good	undraw the antenna and fix it
	The broadcasting station frequency didn't tune up	adjust the broadcasting station frequency
	The customer in weak signal area	area effect,manual adjust the broadcasting station frequency
cant remote control	The remote control has never aim to receive window way	aim to receive window
	the remote control battery no electric source or damage	replace the battery or remote control
no spary or spray pressure lower	The water pressure isn't normal	check the water supply pressure
	The function conversion valve didn't connect or block	connect or open and repair
	Supply water tube blowout or stop or cent segment	check ans replace or clean the tube
	The filter of cold and hot water enter water valve high pressure larynx plug up	clean the filter and high pressure larynx
massage pump don't work	Air switch、 air tube didn't insert unwell or leak air	check and insert the air switch or replace the air tube
	The air switch doesn't shut	measure if the switch well under withoutair environment ,if broken pls replace it
	Air switch air pressure be not enough	check connect electric power supply
	Water pumps main power supply impassability	measure the pump if short circuit,if broken pls replace it
	The water pump electrical generator damage	adjust the door wheel or link
sliding door open unwell	Install to adjust not appropriate	adjust the door wheel or link
	Door frame not fix well, off plumb	adjust the door's upright position

Notice: any change for parts should choose the same models. If any fault happens, which can not be solved with the above methods, please contact local distributor for Maintenance upon valid invoice.

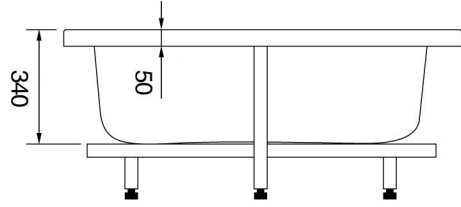
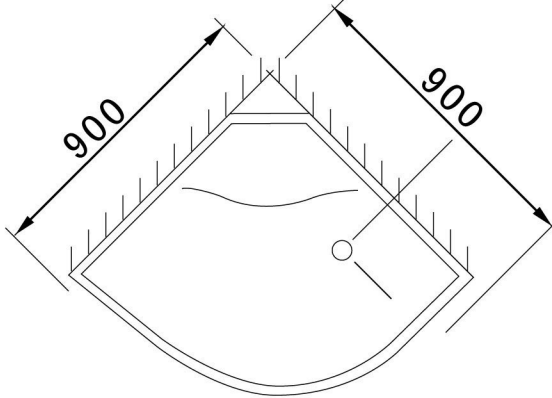
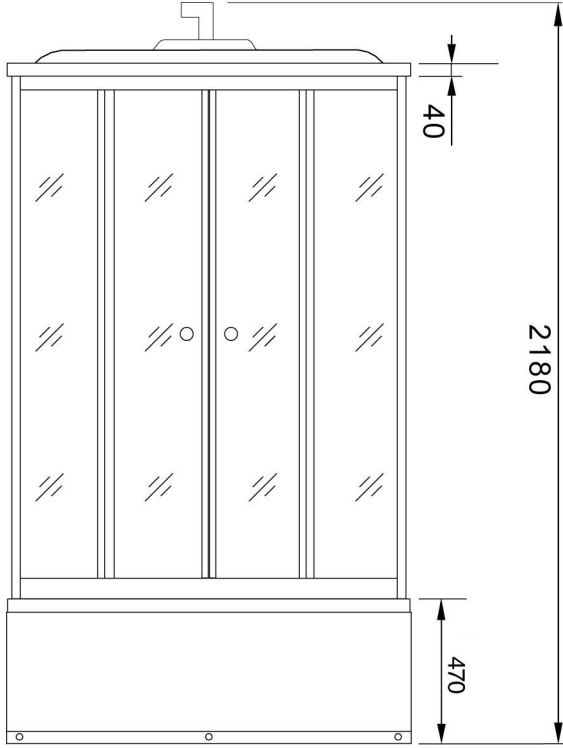
Safety regulation

1. Invite you to check to pack detailed list after opening a box, check whether product accessories is well-found or not or portorage harm or quality problem.
2. The electric appliances of this product has to be installed by professional personnel of parties by the qualified electrician or dealer to carry on.
3. The power supply power supply should adopt to fixedly connect line, and in response to independent usage double open type power switch(namely zero lines, front line can together open together close) and socket. don't mix with other appliances to use same power supply with electric outlet, suggest that the electric outlet is apart from a ground of height 1.2 ms. Such as power cable through wall, should use a tube to insure a safety.
4. The customer installs and usage the power supply of product, have to match with this product electric appliances parameter and should use qualified have effect(insure be good to connect ground) of electric leakage protection switch and lead flow, lead to carry Rong to break a machine etc. protection equip. Protect to equip a reference a skill Shu parameter: The sum settles the electric voltage 220 V - 240V ~ 50 Hz, the sum settles the electric current ≥ 25 A, the switch be apart from >3 mm.
5. Don't change a movable property article electric circuit and at will prolong the lead line while installing and usage; Strictly forbid clipping any connection electric line of product, don't disconnect the computer control box, remote control, control panel (this product computer control and control panel don't contain any spare parts by customer repair inside box), in order to prevent results in the product break down from here or electric leakage, get an electric shock trouble.
6. The organic melting agent of the acetone, ammonia water, gasoline...etc. and contain a strong and sour chemical engineering product, will fuse an acryl parts of decay the product, And electroplate a piece, install and usage in should avoid contact.
7. Should first check whether power switch close or not before use each time, cold and hot supply water whether total valve open or not.
8. Suggest monthly an examination of carry on the protection plug of the electric leakage of steam room. The examine method: Connect power supply, plug the power supply indicator is bright; Press to move the test switch on the plug, the power supply indicator puts out, press to reset key, powersupply indicator bright. If pressed the test key power supply indicator extinguish, or pressed to reset key power supply an indicator don't bright, elucidation electric leakage protection out of order or have the electric leakage breakdown the occurrence, all should stop use and invite professional personnel's check to fix.

Master size

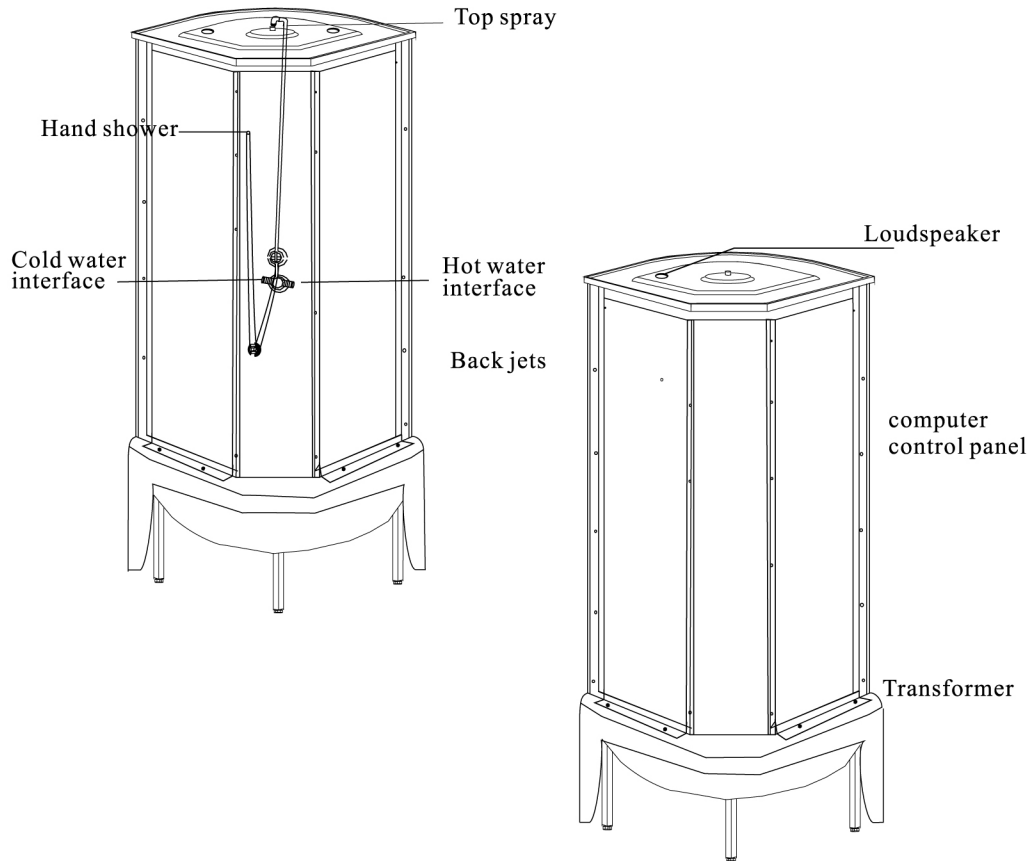
SIZE : 900x900x2150mm

800*800*2150mm and 1000*1000*2150mm are same as 900*900*2150mm



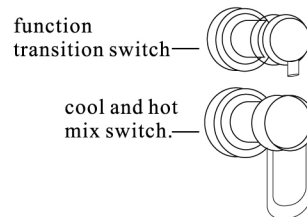
◆Installation step four: Installing the top and water supply

- 1.connect the top to the upper track and the back tightly with 4x30 mm screws and spacers. see the picture.
2. Water supply: Shown in picture , connect the soft pipe to the water-proof rubber ring and put them connected tightly with the holes in the shower room in its proper places.
- 3.Make sure all the connections proper and tight, and then put the shower room to the reserved place, waiting after 24 hours for use till plastic cement is dry enough.



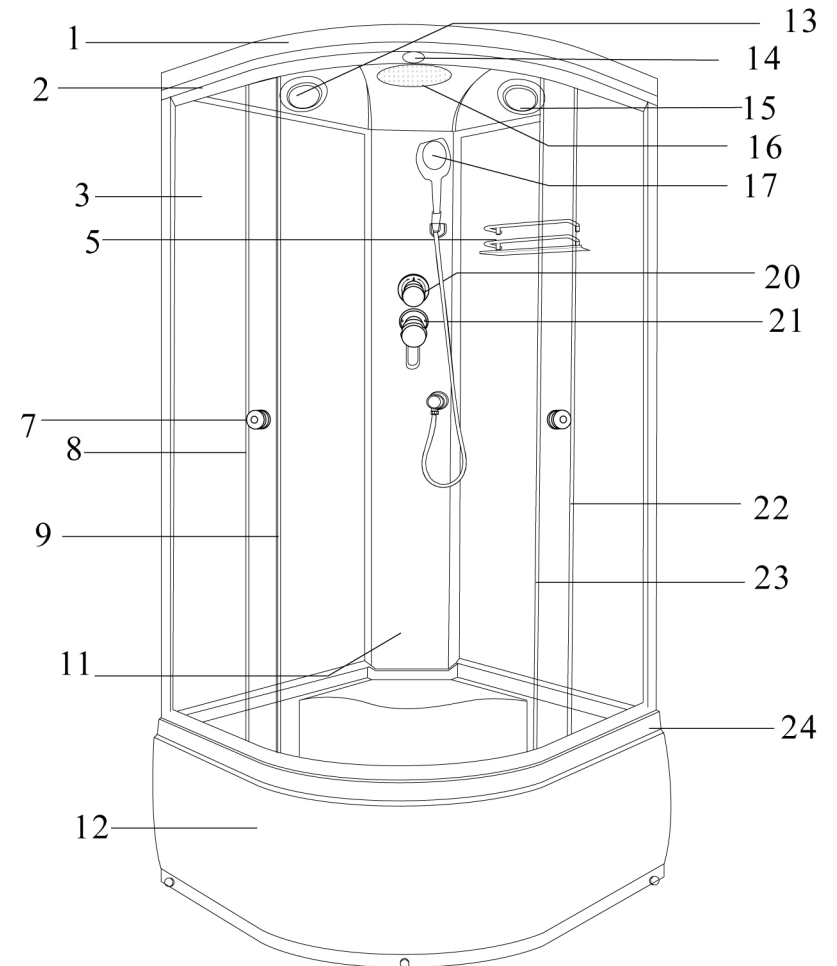
Using the water control

- 1.Cold/hot water switch: for switching on and off cold/hot water. Turn left or right to adjust temperature when it stays on state control .
- 2.State control: turn it to shift to different functions


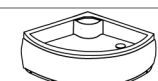





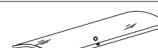




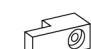



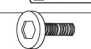



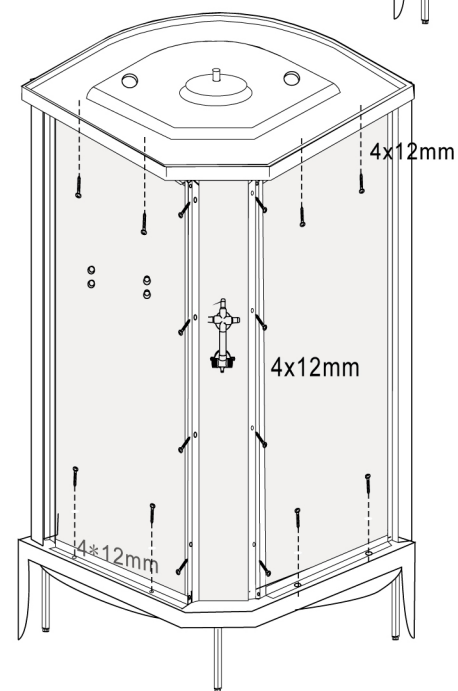
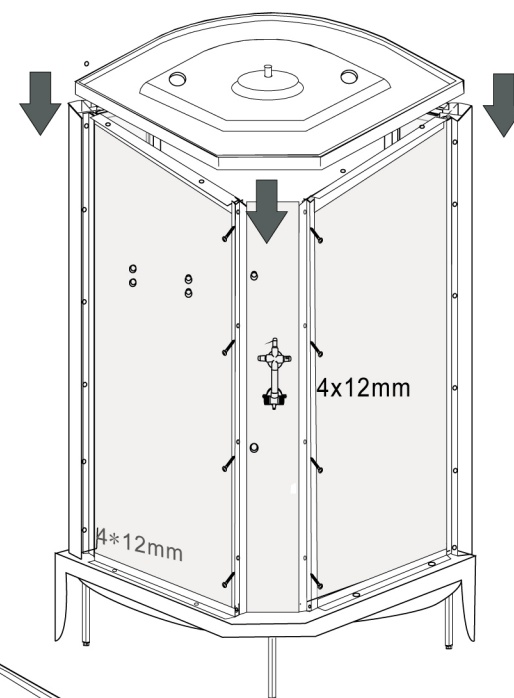
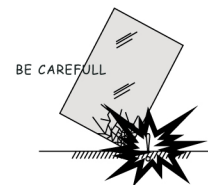
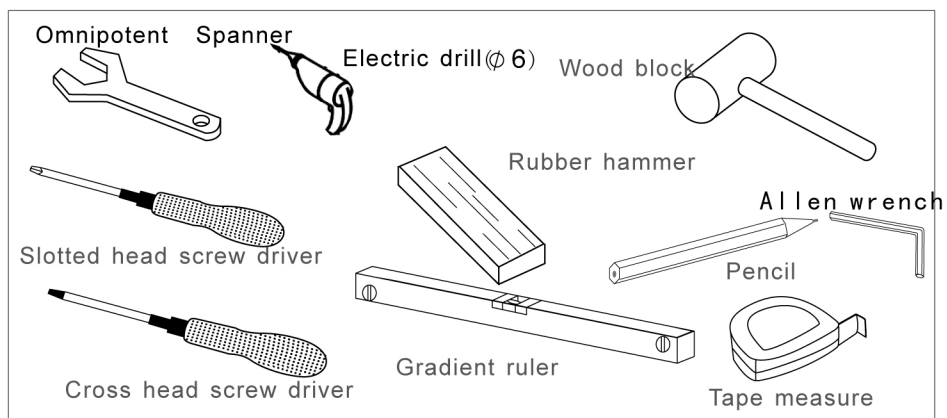
Product accessories name

No.	Accessories	No.	Accessories	No.	Accessories	No.	Accessories
1	Roof	7	Handle	13	Fan	19	
2	Up track	8	Fixed glass	14	Top light	20	Water Position
3	Backboard glass	9	Movable glass	15	Loudspeaker	21	Cold/hot water valve
4		10	Back jets	16	Top shower	22	F-shape plastic bar
5	Shelf	11	Clipboard function	17	Hand shower	23	Magnetic bar
6	Computer control panel	12	Bottom	18		24	Bottom track

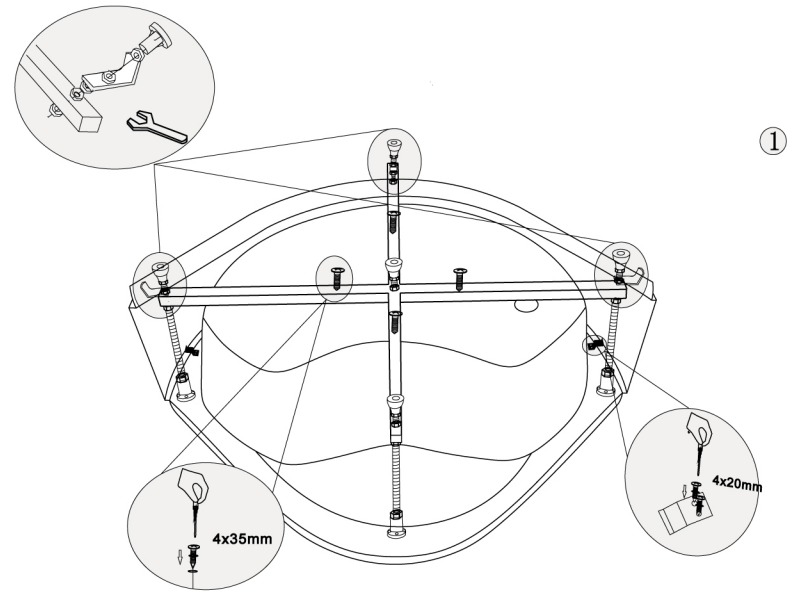
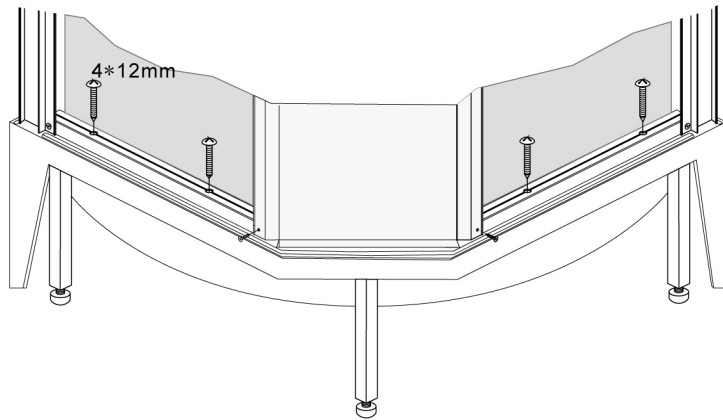
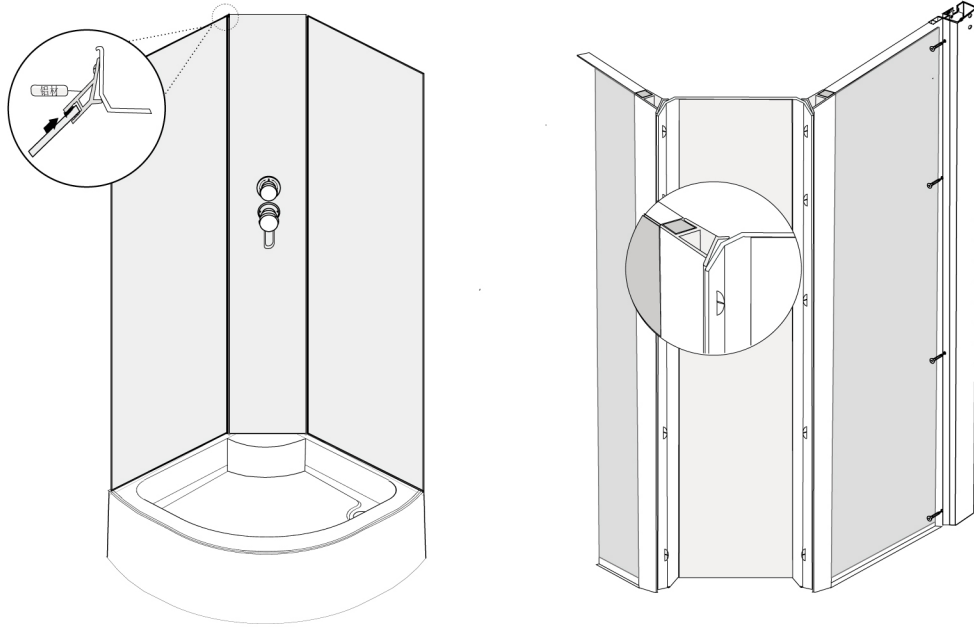


Material & install tool

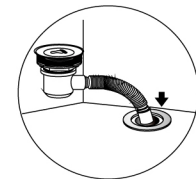
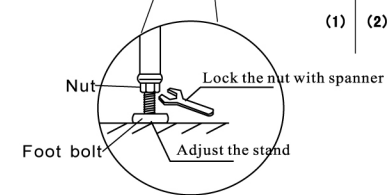
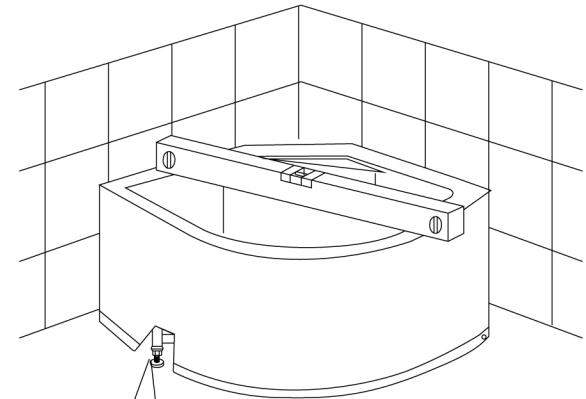
NO.	Sketch	Part name	QTY.	NO.	Sketch	Part name	QTY.
A		Big flat-head spacer	8	J		Tray	1
B		Big flat-head spacer	36	K		Handle	2
E		F-shape plastic bar	2	M		Fixing door glass	2
D		Side aluminum	2	N		Sliding door glass	2
Z		track	2	P		Backboard	2
F		Location ring	4	Q		Up Pulley	4
G		Slide retainer	4	R		Down Pulley	4
H		Magnetic bar	2	S		Aluminum fastener	4
I		Socket bolts	4	W		Location ring	4



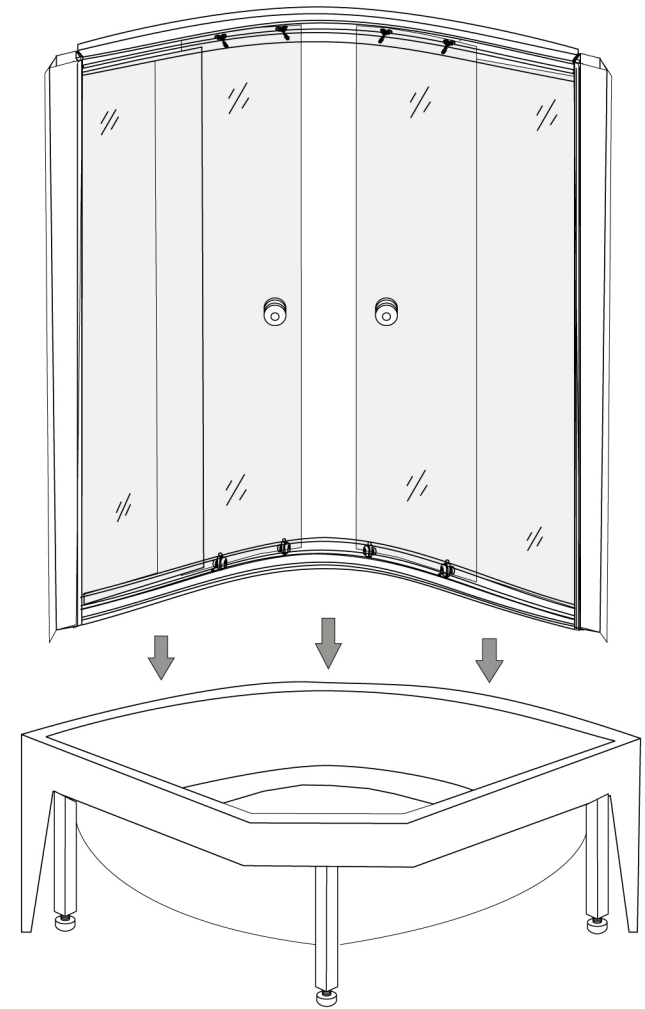
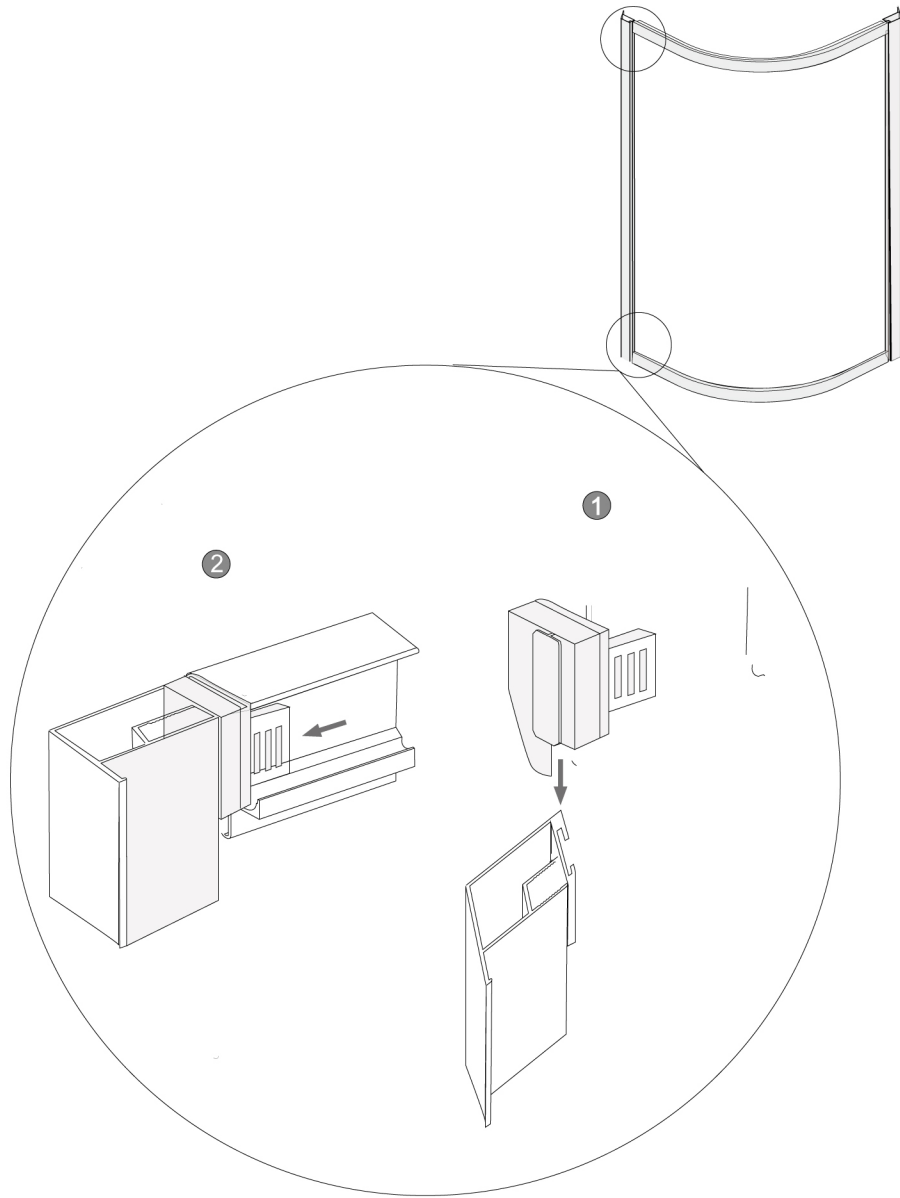
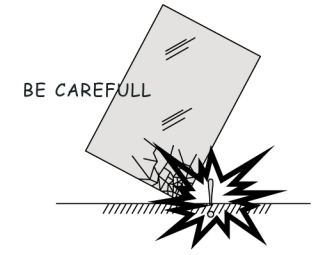
Backboard, clipboard & top installation



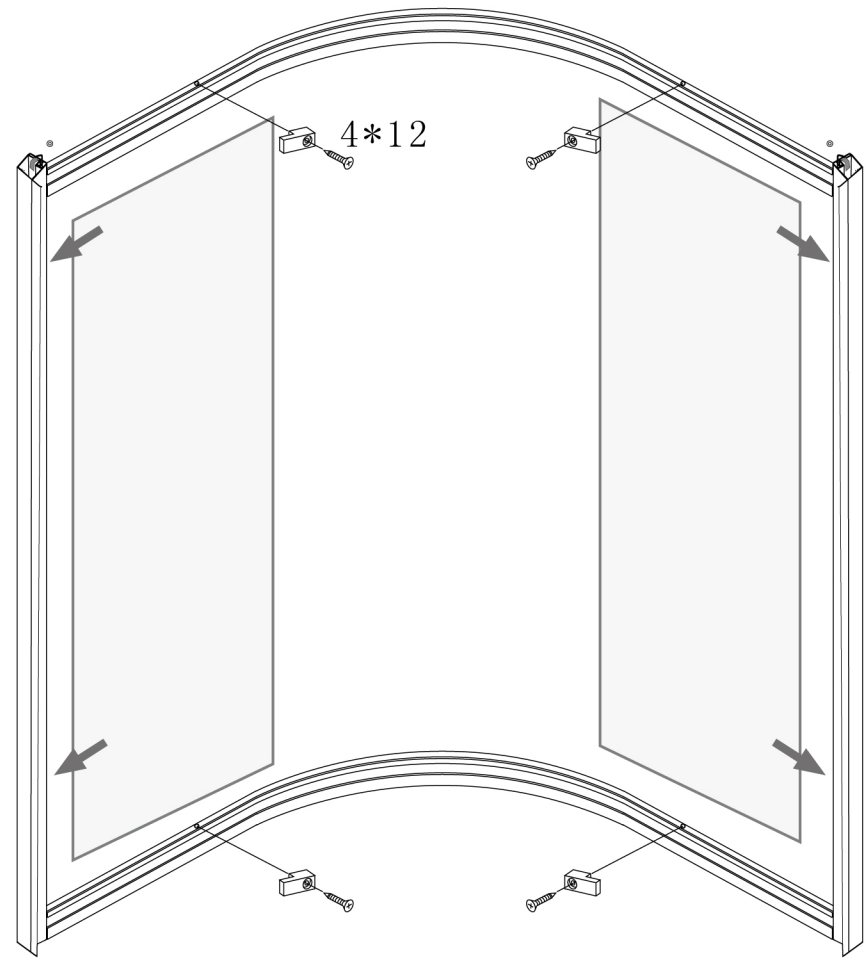
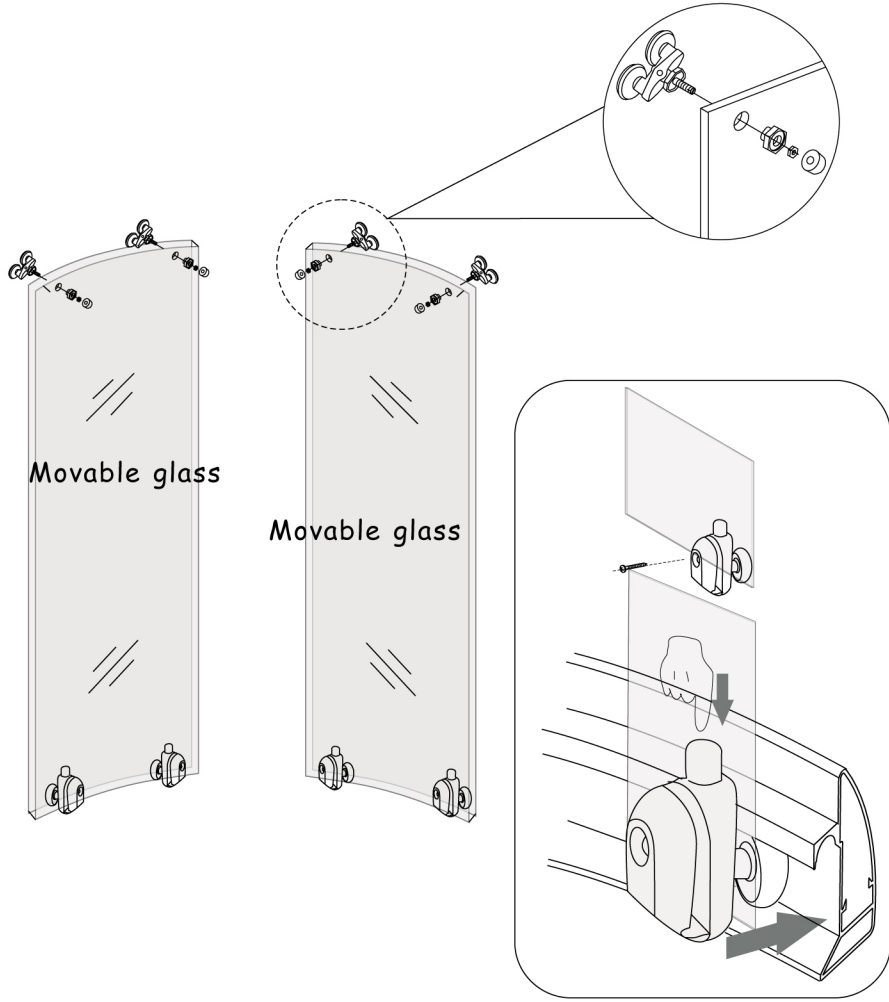
2



Aluminum frame Installation



Fixed glass & Movable glass Installlation



BE CAREFULL

